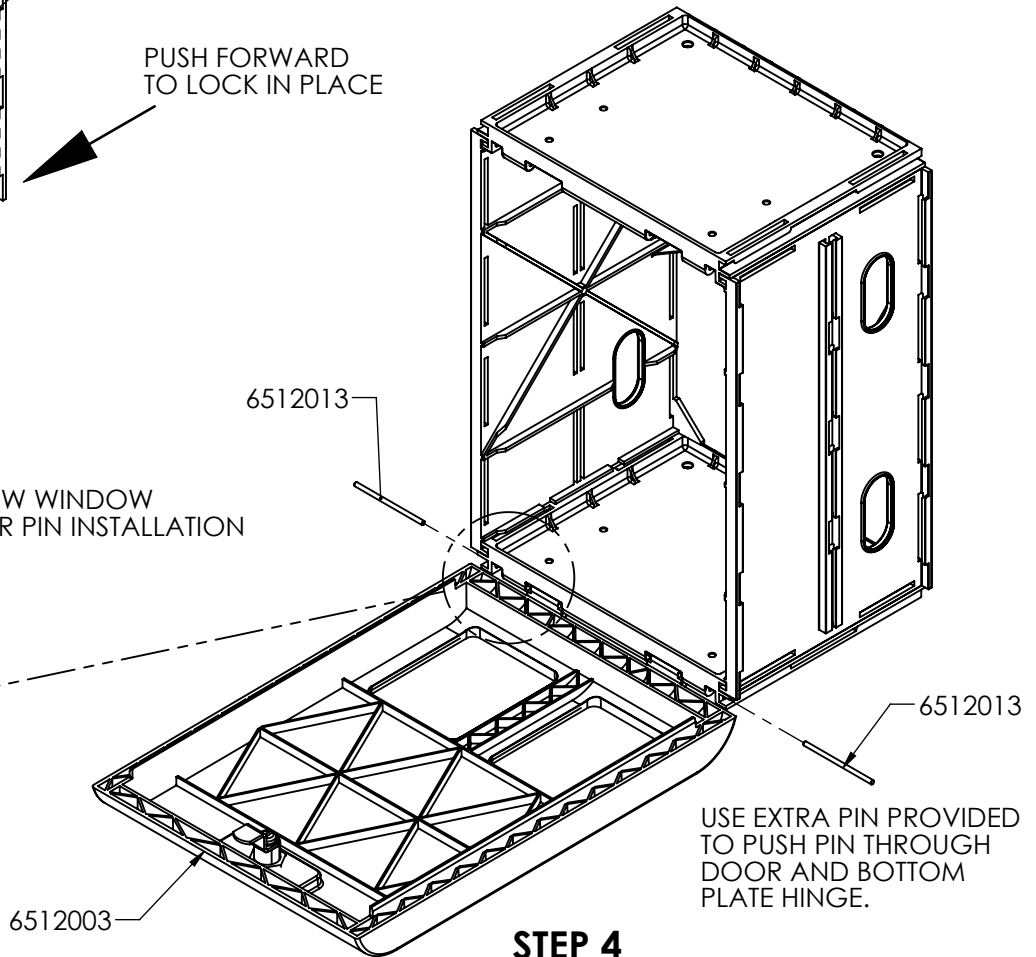
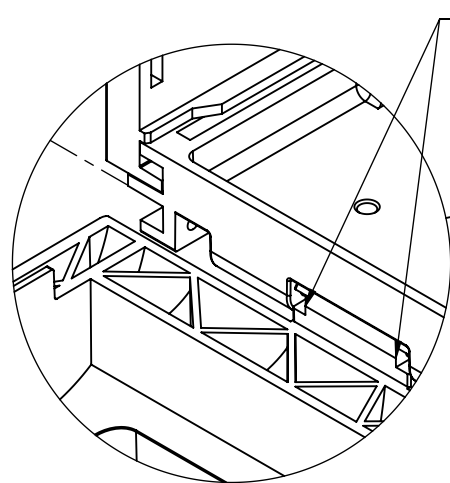
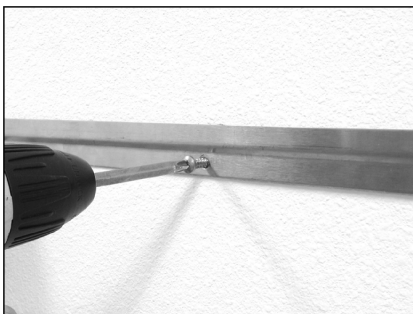


**STEP 3**

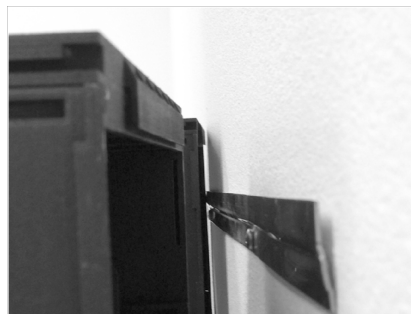


**STEP 4**

**MOUNTING INSTRUCTIONS:**



Choose a convenient location close to water supply. Use supplied joggle bracket (7225698-01) and mark the keyholes - use a level for marking the holes



Drill holes and use supplied mounting screws to mount the joggle bracket to the wall. Hang the unit on the wall.



Open the chemical storage doors, and locate additional mounting holes. Drill holes and use mounting screws to secure cabinet to the wall. Repeat steps in other chemical storage areas.